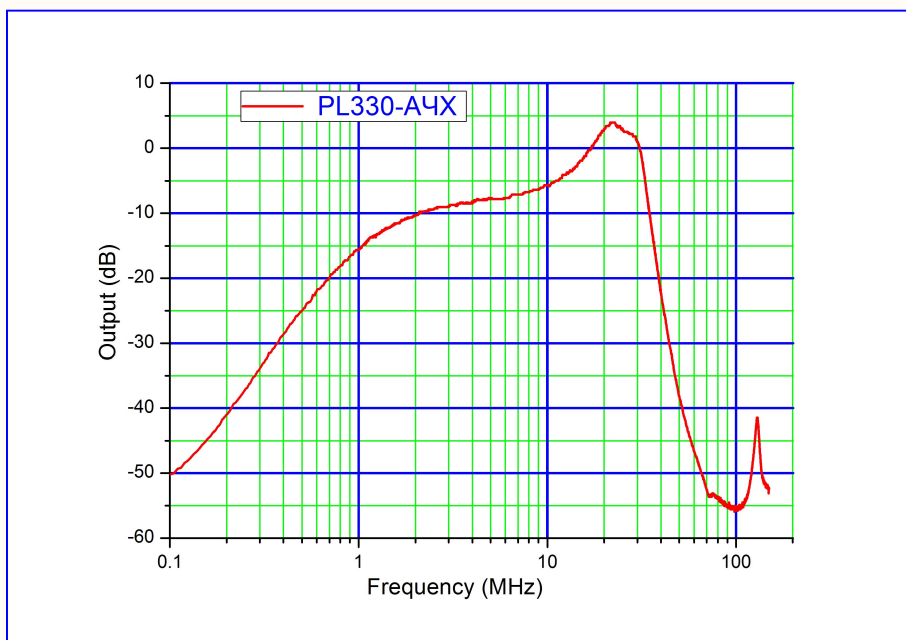
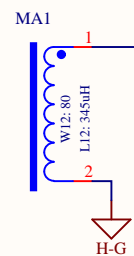
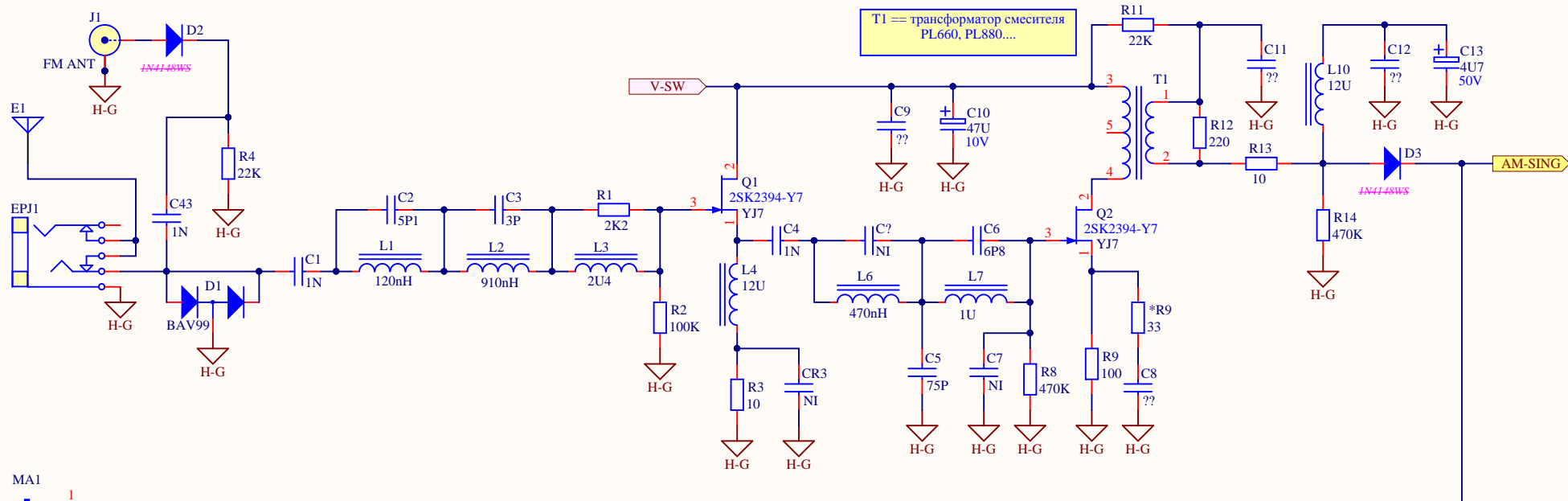
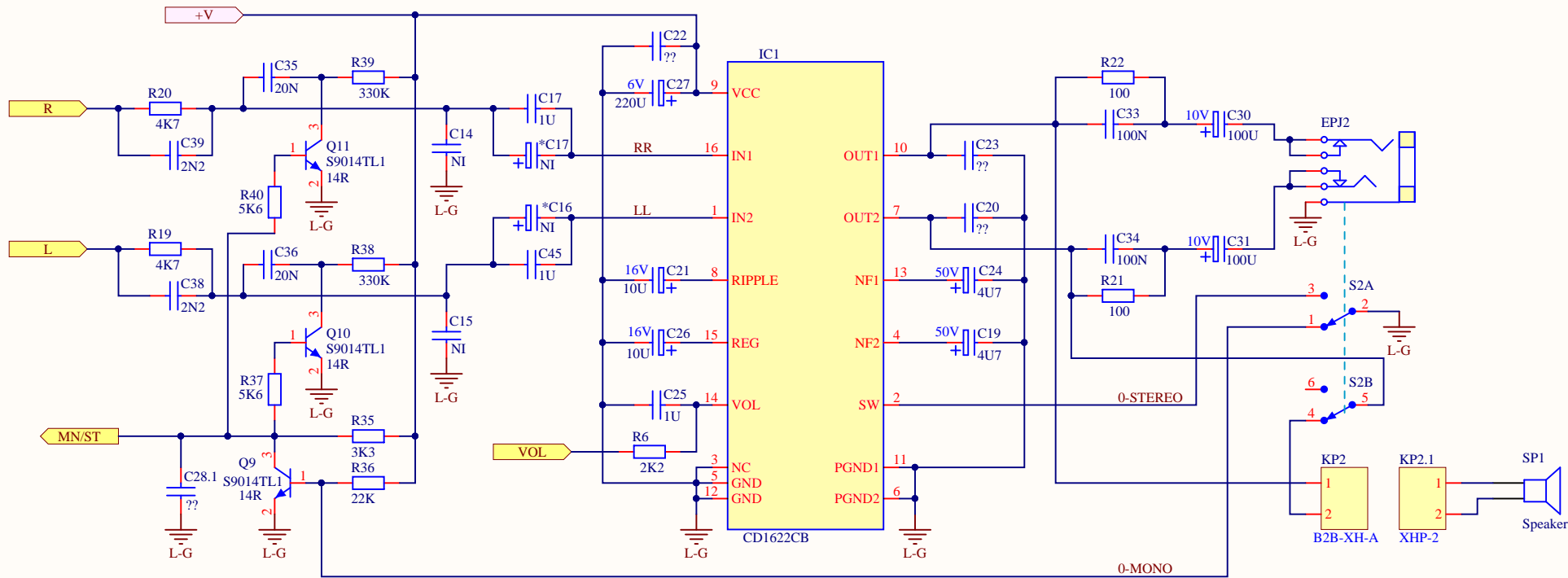


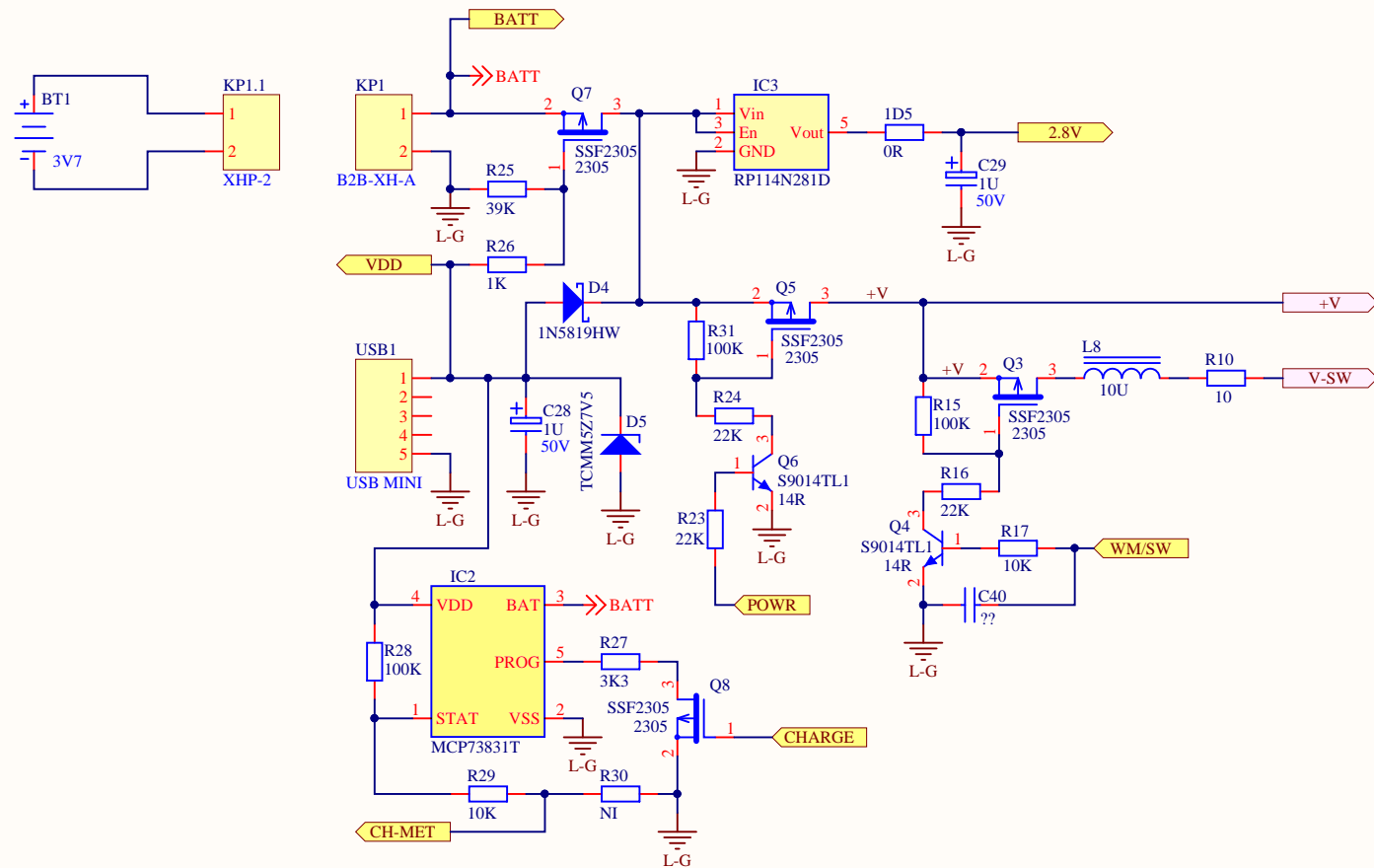
Title Main Board		
Size A4	Document Number PL-330 DT&GF-V4 220.3.6	Revision *
Date 21.09.2020	Sheet 1 of 4	
File Main.SchDoc	Drawn By H.Koirp	



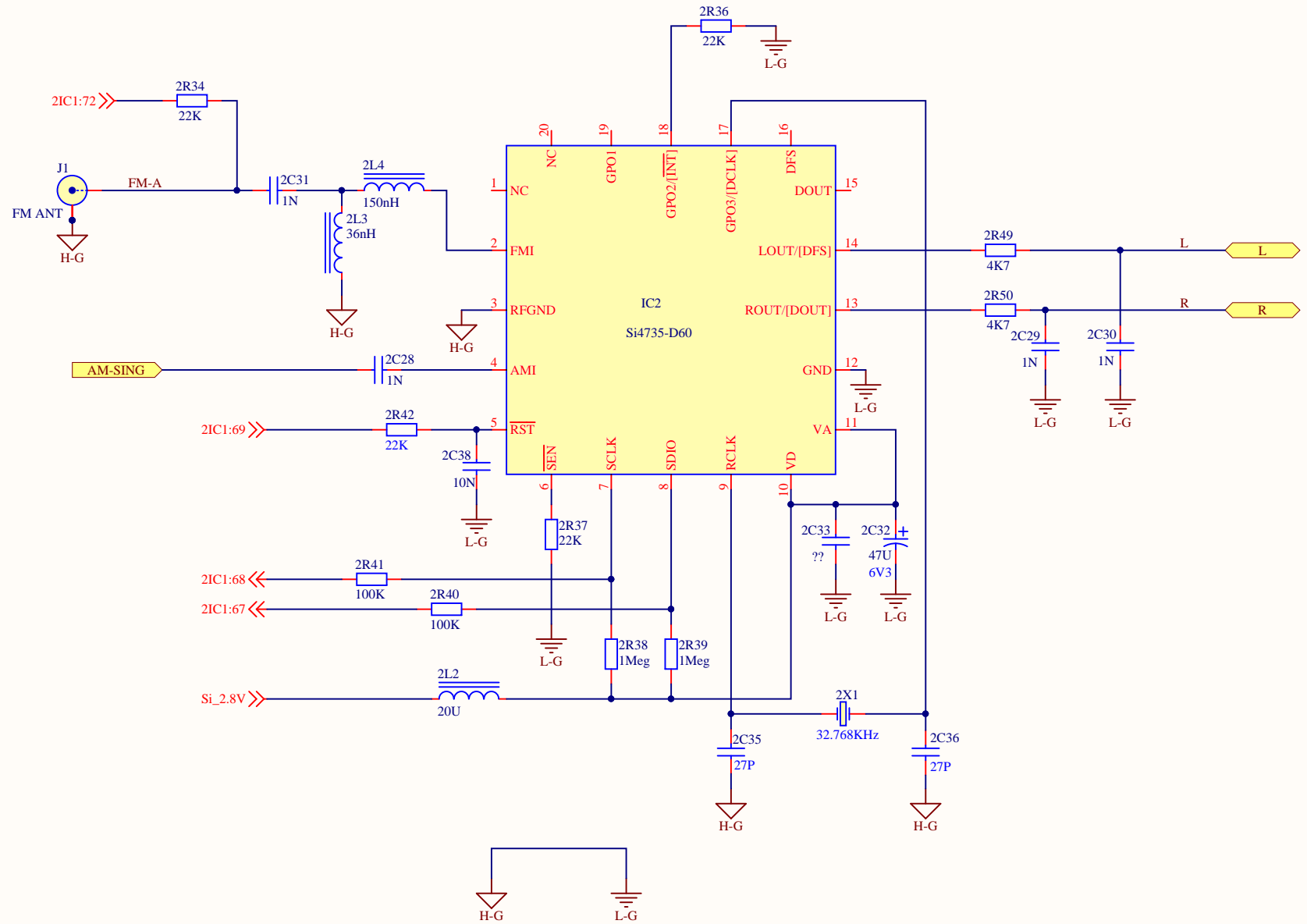
Title RF Input (Main Board)		
Size A4	Document Number PL-330 DT&GF-V4 220.3.6	Revision *
Date 21.09.2020	Sheet 2 of 4	
File RF_Input.SchDoc	Drawn By H.Korpp	



Title Audio (Main Board)		
Size A4	Document Number PL-330 DT&GF-V4 220.3.6	Revision *
Date 21.09.2020	Sheet 3 of 4	
File Audio.SchDoc	Drawn By H.Koerrp	



Title PWR (Main Board)		
Size A4	Document Number PL-330 DT&GF-V4 220.3.6	Revision *
Date 21.09.2020	Sheet 4 of 4	
File PWR.SchDoc	Drawn By H.Korpp	



Title Si4735 (Controller)		
Size A4	Document Number PL-330KZ-V4	Revision *
Date 21.09.2020	Sheet 1 of 1	
File Si4735.SchDoc	Drawn By H.Korpp	