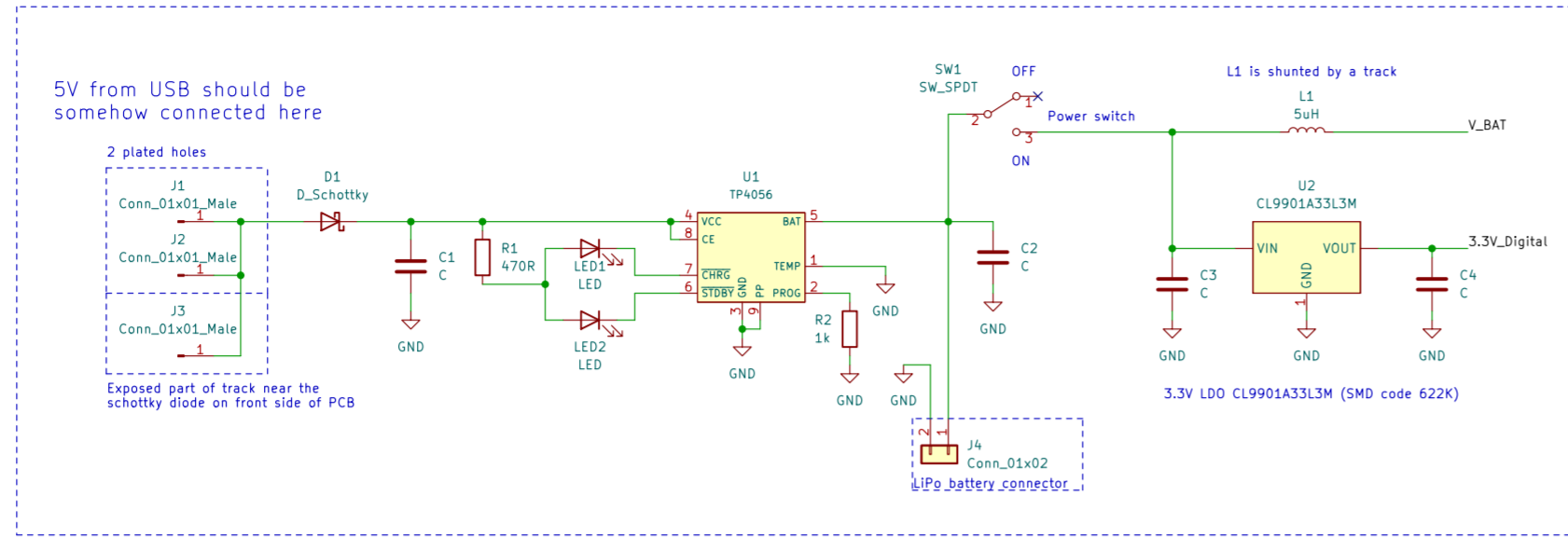
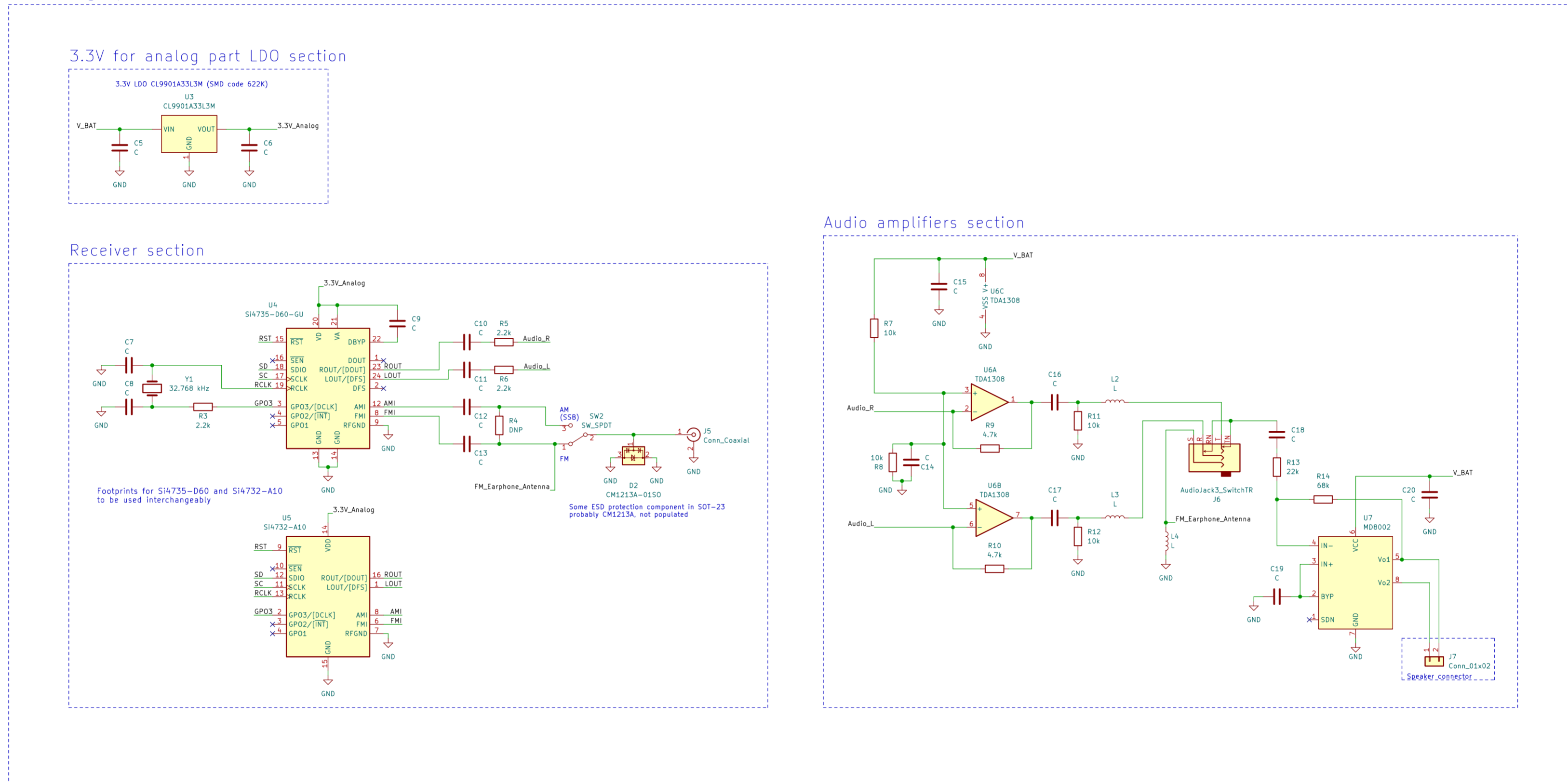


Power input, battery charging



Analog part



Digital part

